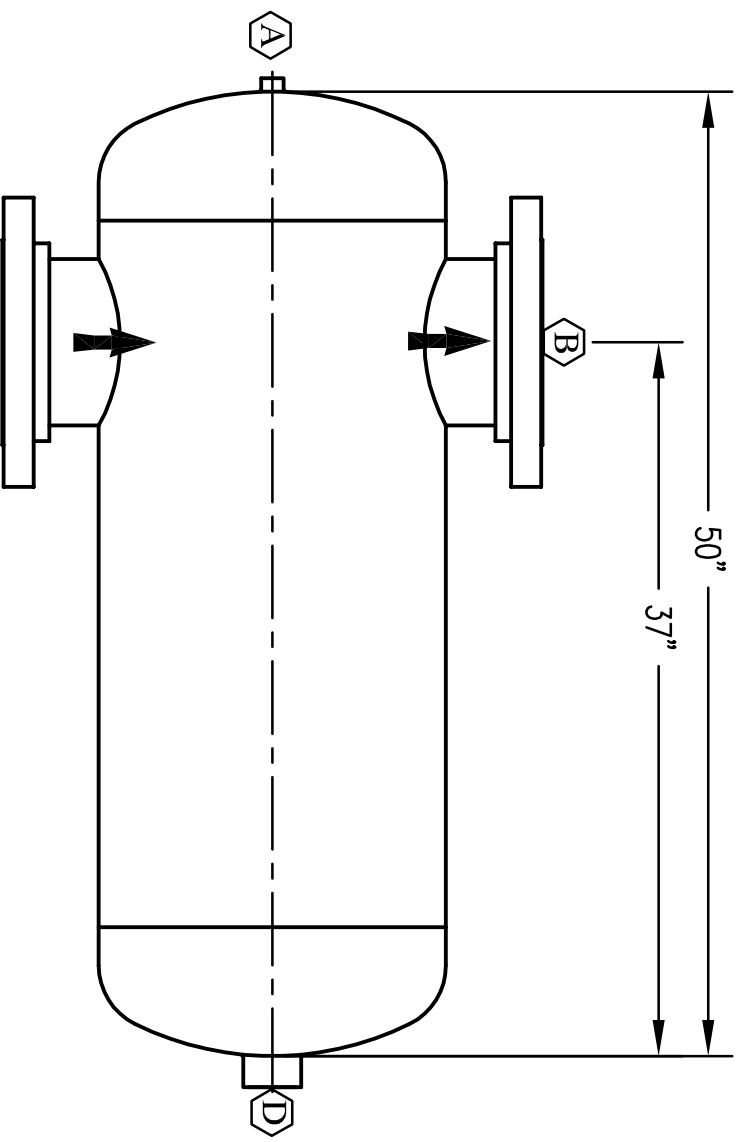


ORIENTATION



PLAN VIEW

NOZZLE SCHEDULE			
MARK	SIZE	SPEC	NOZ. TYPE FUNCTION
A	1/4"	6000#	CPLG VENT
B	8"	300#	R.F.S.O. INLET
C	8"	300#	R.F.S.O. OUTLET
D	2"	3000#	CPLG DRAIN

NOTE:
 1. DESIGNED, FABRICATED AND STAMPED IN ACCORDANCE WITH ASME CODE SECTION VIII, SECTION 1.

2. SEPARATOR ELEMENTS AVAILABLE IN CARBON STEEL, 304 & 316 STAINLESS STEEL, OR OPTIONAL ALLOYS UPON REQUEST.

3. ABOVE DIMENSIONS NOT FOR CONSTRUCTION

4. ALL DIMENSIONS ARE IN INCHES

5. APPROXIMATE WEIGHT 615 LBS

CONSTRUCTION
 A.S.M.E. SECTION VIII DIVISION I
 2004 EDITION 2006 ADDENDA
 A.S.M.E. STAMP REQUIRED

DESIGN SPECIFICATIONS	
NO. OF PASSES	N/A
DES. PRESS.	450 PSI/FV
DES. TEMP.	650 F.
CORR. ALL.	1/16
HYDRO. TEST	585 PSIG
STRESS REL.	NONE REQ'D
RADIOGRAPH	NONE REQ'D
M.D.M. T	-20 F. @ 450 PS/FV

REVISION: 0			
NO.	DESCRIPTION	BY DATE	NO.

DIDION SEPARATOR COMPANY



A DIVISION OF
DIDION'S MECHANICAL
 NOT BIGGEST... BEST!
 PH: (419) 483-2226
 FX: (419) 483-4382
 MODEL #: DST-8-300
 FABRICATION DETAILS
 DATE: 11-29-07
 APPR. DDII
 DATE: 11-29-07

THIS DRAWING AND ALL INFORMATION ON IT IS THE PROPERTY OF DIDION'S MECHANICAL. IT IS CONFIDENTIAL AND IS GIVEN TO YOU FOR A LIMITED PURPOSE AND MUST BE RETURNED ON REQUEST. NEITHER THIS DRAWING NOR ANY PART OF IT NOR ANY INFORMATION CONCERNING IT MAY BE COPIED, EXHIBITED OR FURNISHED TO OTHERS NOR MAY PHOTOGRAPHS BE TAKEN OF ANY ARTICLE FABRICATED OR ASSEMBLED FROM THIS DRAWING WITHOUT CONSENT OF DIDION'S MECHANICAL.

WEB: didionseparator.com
 e-mail: dmec@didionsmech.com

DRAWING NUMBER: DST-8-300
 REV. 0
 SHEET NO. 1 OF 1