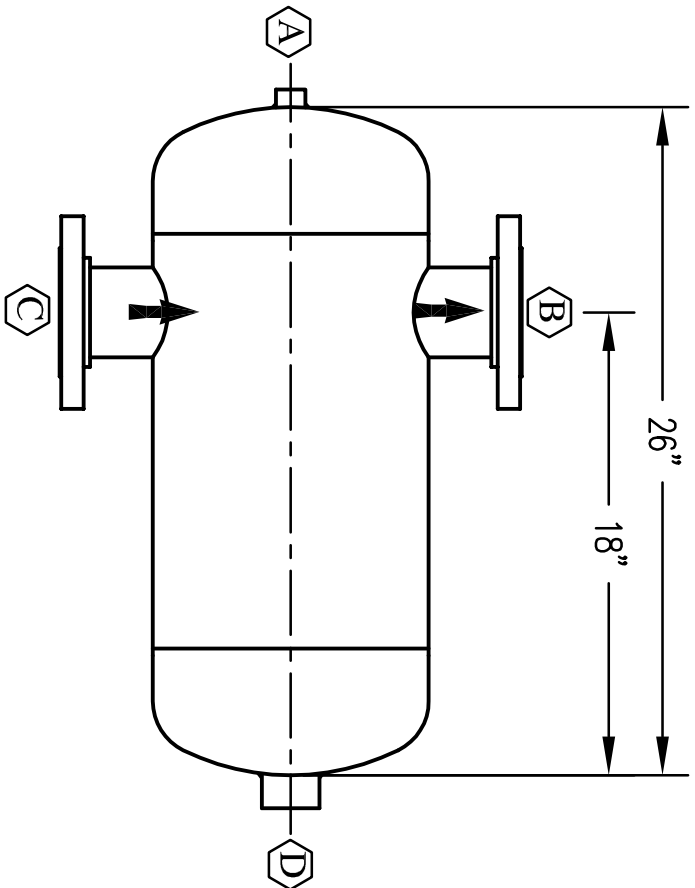


ORIENTATION



PLAN VIEW

NOZZLE SCHEDULE				
MARK	SIZE	SPEC	NOZ. TYPE	FUNCTION
A	1/4"	6000#	CPLG	VENT
B	3"	150#	R.F.S.O.	INLET
C	3"	150#	R.F.S.O.	OUTLET
D	1/4"	3000#	CPLG	DRAIN

NOTE:
 1. DESIGNED, FABRICATED AND STAMPED IN ACCORDANCE WITH ASME CODE SECTION VIII, SECTION 1.

2. SEPARATOR ELEMENTS AVAILABLE IN CARBON STEEL, 304 & 316 STAINLESS STEEL, OR OPTIONAL ALLOYS UPON REQUEST.

3. ABOVE DIMENSIONS NOT FOR CONSTRUCTION

4. ALL DIMENSIONS ARE IN INCHES

5. APPROXIMATE WEIGHT 148 LBS

CONSTRUCTION
 A.S.M.E. SECTION VIII DIVISION I
 2004 EDITION 2006 ADDENDA
 A.S.M.E. STAMP REQUIRED

DESIGN SPECIFICATIONS	
NO. OF PASSES	N/A
DES. PRESS.	250 PSI/FV
DES. TEMP.	300 F.
CORR. ALL.	1/16
HYDRO. TEST	325 PSIG
STRESS REL.	NONE REQ'D
RADIOGRAPH	NONE REQ'D
M.D.M. T	-20 F. @ 250 PS/FV

REVISION: 0				
NO.	DESCRIPTION	BY DATE	NO.	DESCRIPTION

DIDION SEPARATOR COMPANY
 A DIVISION OF



DIDION'S MECHANICAL WEB: didionseparator.com
 NOT BIGGEST... BEST! e-mail: dmec@didionsmech.com

PH: (419) 483-2226
 FX: (419) 483-4382
 DESCRIPTION: SEPARATOR
 MODEL #: DST-3-150
 FABRICATION DETAILS

DRAWING NUMBER		DATE:		DATE:	
DST-3-150	0	04-16-07	04-16-07	04-16-07	04-16-07
DRAWING NUMBER		DATE:		DATE:	
DST-3-150	0				
DRAWING NUMBER		DATE:		DATE:	
DST-3-150	0				
DRAWING NUMBER		DATE:		DATE:	
DST-3-150	0				

THIS DRAWING AND ALL INFORMATION ON IT IS THE PROPERTY OF DIDION'S MECHANICAL. IT IS CONFIDENTIAL AND IS GIVEN TO YOU FOR A LIMITED PURPOSE AND MUST BE RETURNED ON REQUEST. NEITHER THIS DRAWING NOR ANY PART OF IT NOR ANY INFORMATION CONCERNING IT MAY BE COPIED, EXHIBITED OR FURNISHED TO OTHERS NOR MAY PHOTOGRAPHS BE TAKEN OF ANY ARTICLE FABRICATED OR ASSEMBLED FROM THIS DRAWING WITHOUT CONSENT OF DIDION'S MECHANICAL.